



JUL 8 2009

# Vacuum Wheel

**10 Vane Vacuum Drum Allows Three Seals Per Scroll**

**End Vane and Drum Head Flashing Seals**

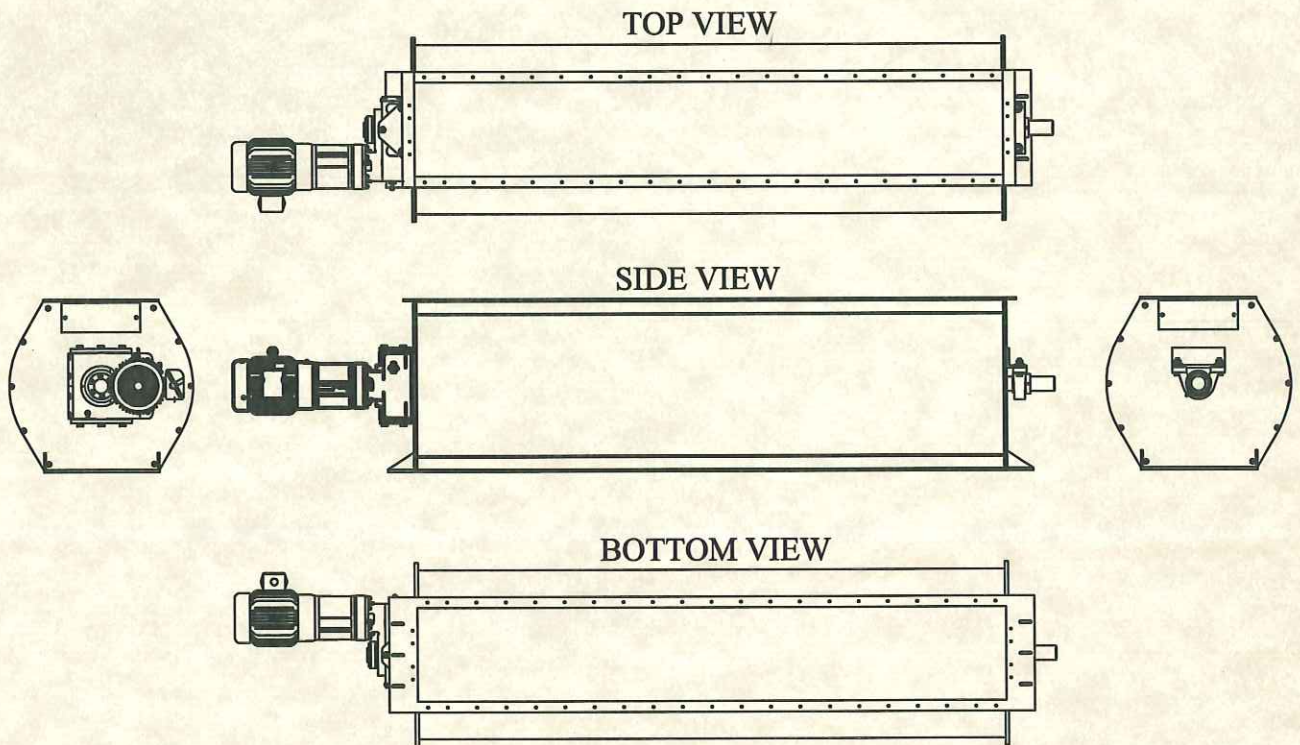
**Vacuum Buckets Available With or Without Quick Change Rails**

**10-3/8" x 3 1/4" Heat Resistant Strips of Flashing**

**Heavy Duty 3/16" Thick Scrolls with Ship Channel Bracing**

**Drum Mounted on TG&P Shaft with Heavy Duty Bearing**

**Motor with Buddy Box Drive**



Complete Parts & Service Available.



[www.bcsupply.com](http://www.bcsupply.com)

**BC SUPPLY**  
2008 East 50th Street  
Lubbock, TX 79404

**Telephone: (806) 762-3227**  
**Toll Free: 1-800-666-0932**  
**Fax: (806) 762-6514**